

BCL-TA

Product Data Rotating column stand

TECHNICAL DATA

ROTATING COLUMN STAND

- Column height 2310 mm (floor rails included)
- Floor rails length 2500 mm
- Longitudinal travel on floor rails 1850 mm (± 925 mm)
- Vertical travel 1650 mm
- Focus-floor distance Variable from 400 mm to 2050 mm
- X-ray tube supporting arm telescopic travel 200 mm (± 100 mm) with mechanical detent of the central position
- Column rotation $\pm 180^\circ$ with mechanical detents every 90° . Locking/unlocking operated by a foot pedal
- X-ray tube supporting arm rotation $\pm 180^\circ$ with mechanical detents $\pm 90^\circ$ and angle inclination by a goniometer
- Main power supply requirement 24 Vdc 40 VA
- Weight ≈ 210 Kg (column, rails, X-ray tube and collimator)
- Electromagnetic brakes for the longitudinal and vertical movements of the column, the X-ray tube rotation and the telescopic movement of the X-ray tube supporting arm
- Manual collimator, with retractable meter for FFD indication

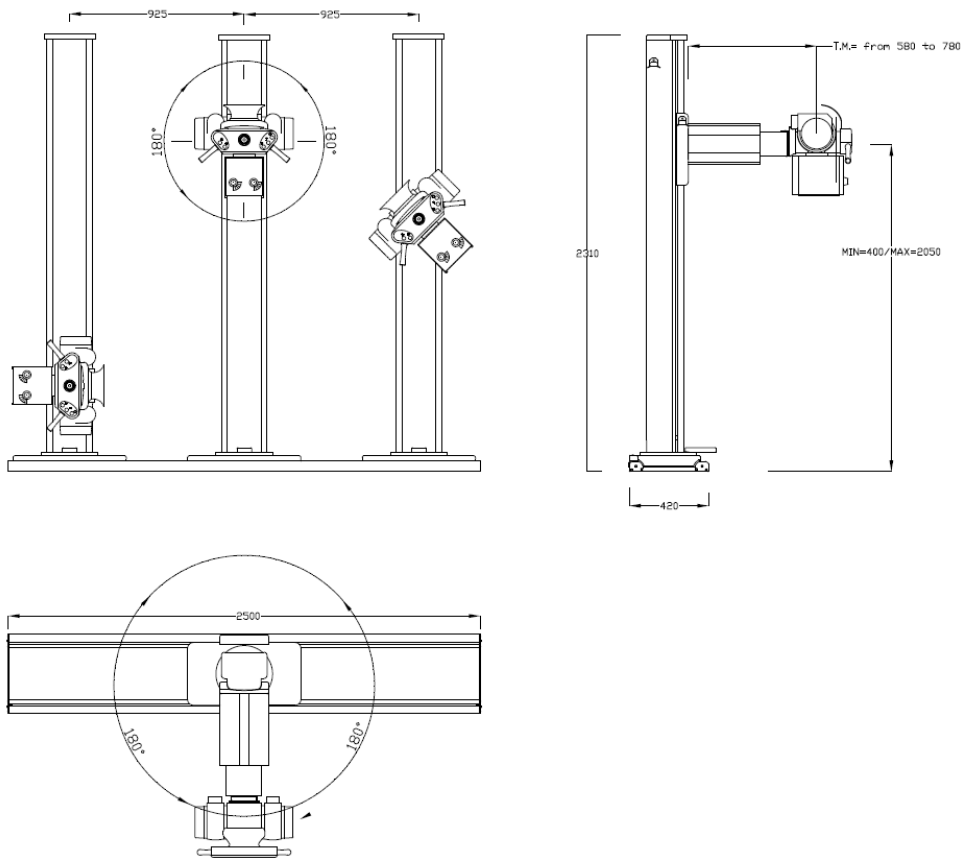
emento di cattura Ctrl+N



BCL-TA

Product Data Rotating column stand

Dimension (mm)



PD-102-E Rev. 02 07.11.2019

Specifications are subject to change without prior notice



0051



ESSE3 srl, Via Garibaldi 30
14022 Castelnuovo D.B. (AT)
Tel +39 011 99 27 706
Fax +39 011 99 27 506
e-mail esse3@chierinet.it
web: www.esse3.dreamgest.com



ISO 13485